

# Vehicle Traffic Signals

## 12" Aluminum Traffic Signal



- **MATERIAL**  
Signals are pressure die-cast of aluminum alloy 413 in accordance with ASTM-B85.
- **HOUSING**  
One-piece die-cast aluminum unit with serrations in 5° increments at each end, so that they may be fastened together to form multi-section signals. Each housing has provisions for mounting two terminal blocks and attaching backplates.
- **DOOR**  
One-piece die-cast aluminum unit equipped with stainless steel hinge pins. Two stainless steel captive eyebolts and wing nuts permit easy access to the inside of the housing.
- **VISOR**  
One-piece formed aluminum unit. The removable twist-on visor is secured to the door with stainless steel hardware. Cap, tunnel, and full circle visors are available. The interior of the visor is coated with a non-reflective, matte black paint.
- **MOUNTING EASE**  
Positive Positioning and locking are achieved through the use of serrated fittings, mast arm brackets or span wire mounts.

LED units installed are

**GE current**  
a Daintree company



Designed to meet the following standards:



U.S. Department  
of Transportation  
**Federal Highway  
Administration**



**General  
Traffic  
Equipment  
Corporation**

259 Broadway, Newburgh, NY 12550

**(845) 569-9000**

**TOLL FREE:**

**(800) 222-2828**

**FAX:**

**(845) 569-1800**

**EMAIL:**

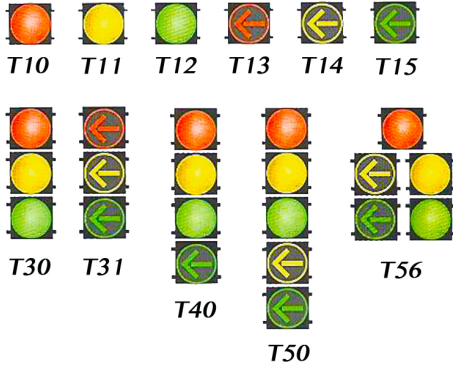
**info@generaltrafficequip.com**

**www.generaltrafficequip.com**

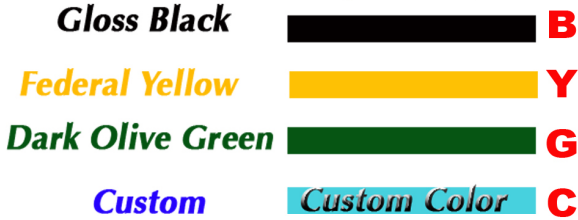
General Traffic Equipment



## Vertical Arrangements



## Color Arrangments

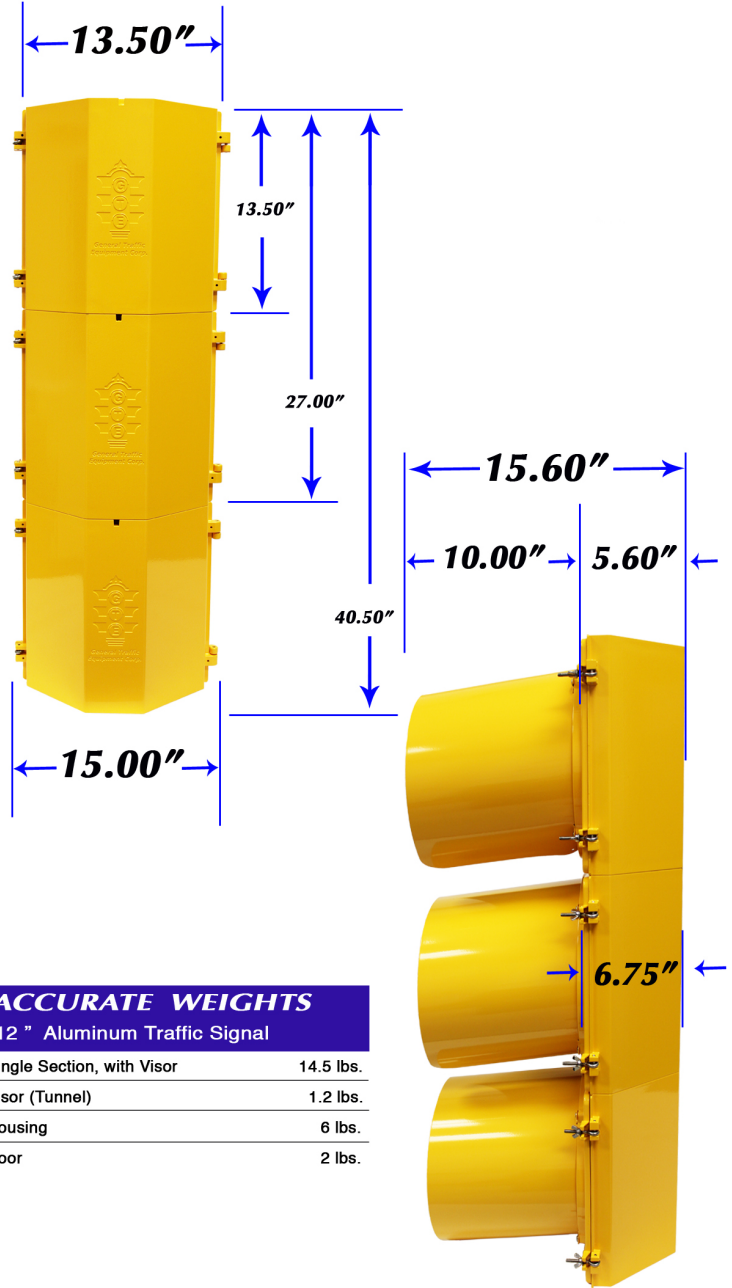


## Repair Parts

Part Description	Part Number
1. Signal Housing	12 - SHA - X
2. Carriage Bolt (1/4" - 20 X 2")	CB - 2020
3. Clamping Washer	TS - SW - 001
4. Hex Nut (1/4" - 20)	HKN - 250 - 20
5. Type 2 Groove Pin SS (3/16" X 13/16")	GP - 187813
6. Hinge Pin(flared spirol pin)(3/16" X 1.00")	HP - 187100
7. Spirol Pin, SS (3/16" X 1 1/4")	SP - 1871250
8. Wingnut Eyebolt Assembly	WNEB - 20
9. Door Gasket	DG - 218218
10. Signal Door	12 - SDA - X
11. Visor - Tunnel (10 Per Box)	TV - 12A - X
Visor - Cap	CV - 12A - X
Visor - Full Circle	FCV - 12A - X
12. Visor Screw (10 - 32 x 3/8")	THMS-1032-375
13. Terminal Block, 4 Position - Spade Type	TB - 4 - ST
14. Terminal Block, 6 Position - Spade Type	TB - 6 - ST

X = Color

## Dimensions



### ACCURATE WEIGHTS

12" Aluminum Traffic Signal

Single Section, with Visor	14.5 lbs.
Visor (Tunnel)	1.2 lbs.
Housing	6 lbs.
Door	2 lbs.

## SIGNAL ASSEMBLY - PART NUMBER KEY

**T - 30 - ALUM - Y - RYG - C - Y - B - Y - NYC**

Size	Orientation & Use	Housing Material	Backplate	LED's Installed	Visor Form Tunnel - T Cap - C Full - F	Body Color	Door Color	Visor Color	Customer Code
------	-------------------	------------------	-----------	-----------------	---	------------	------------	-------------	---------------

www.generaltrafficequip.com