

Polycarbonate Pedestrian Signal

P8 Single Section - 16" X 18"



Back View

P8 Polycarbonate Pedestrian Signal



GE LED
Technology

- *Meets and Exceeds all ITE Specifications*
- *Designed for Standard or Countdown LED Insert*
- *Available with Aluminum Door*
- *Available with either Hood Visor, "Z" Crate Visor, or no Visor*
- *Door Hinge Hardware can be removable / reversible due to the housings symmetrical design.*

The General Traffic P8 - Single Section Polycarbonate Pedestrian Signal is a dual-indication unitized housing assembly utilizing LED module technology. GTE housings are designed to meet and exceed the Institute of Transportation Engineers (ITE) standards, offering a low maintenance and long lasting housing made with injection molded polycarbonate resin.



**General
Traffic
Equipment
Corporation**

259 Broadway, Newburgh, NY 12550

(845) 569-9000

TOLL FREE:

(800) 222-2828

FAX:

(845) 569-1800

EMAIL:

info@generaltrafficequip.com

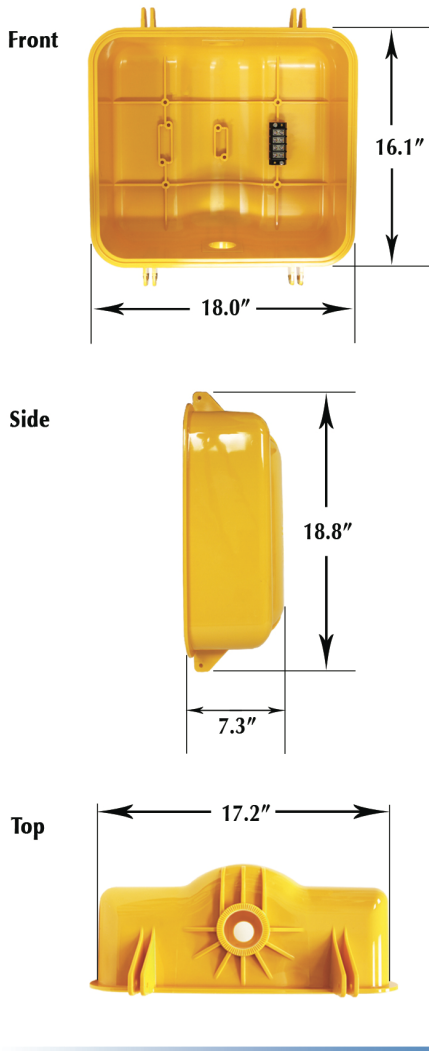
www.generaltrafficequip.com



SPECIFICATIONS



Housing Dimensions



Product Description

The General Traffic Equipment Corp P8 Polycarbonate Pedestrian Signal Housing is available in a variety of configurations and with a number of different options. The housing design allows for the mounting of 3 different terminal blocks and secured with ultrasonic inserts.

The door is attached with stainless steel detent type clevis pins and eye bolt / wing nut assemblies. Two equally spaced hinges molded symmetrically into the top and bottom of the housing allow the doors to hinge from either direction. The door and eye bolt assemblies can be removed and rotated without the use of any tools, making maintenance in the field a breeze.

Mounting Options

(add one suffix to model number)

- PO = Top and Bottom Ports Open**
- SAML = Swing Arm Mount on Left of Housing**
- SAMR = Swing Arm Mount on Right of Housing**



P8 Signal shown with Clamshell Mount



"Z" Crate Visor



Open Hood Visor

Visor Options

(add one suffix to model number)

- NV = No Visor**
- OV = Open Hood Visor**
- GV = "Z" Crate Style Visor installed in door frame**

General Specifications

- Material:** Ultraviolet and heat stabilized, flame retardant, permanently colored, polycarbonate resin as manufactured by GE Lexan.
- Color(s):** Federal Yellow, Dark Green, Gloss Black
- Access:** Front Door, Hinged Top or Bottom
- Latching System:** Eye Bolt Assemblies
- Mounting:** Standard Signal Hardware
- Shipping Weight:** Without LED - 9 lbs.
With LED - 14 lbs