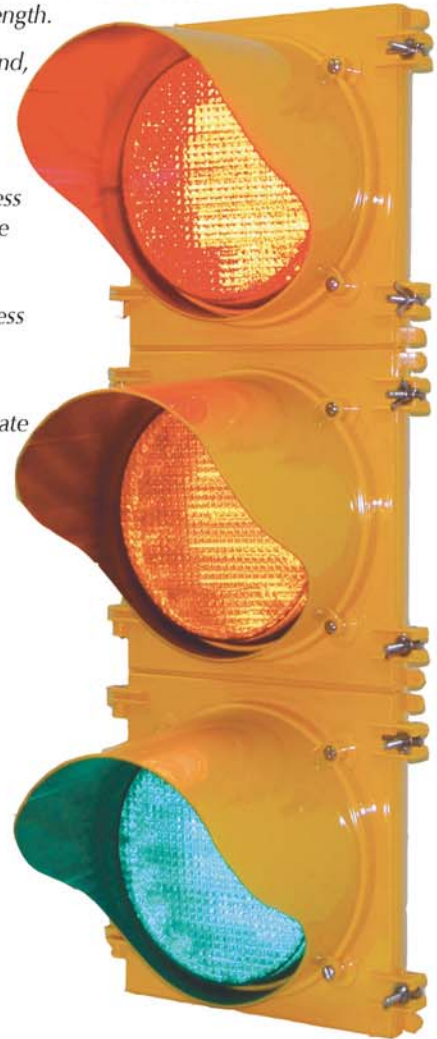


Vehicle Traffic Signals

8" POLYCARBONATE LED



- **MATERIAL** The housing, door, and visor are injection molded of UV stabilized, pre-colored opaque polycarbonate. Never needs painting! Wall thickness varies from .160" on the body to .175" top and bottom. Extensive ribbing provides stiffness and strength.
- **HOUSING** Each one piece unit is serrated in 5° increments at each end, so that they may be fastened together to form multi-section signals. Each housing has provisions for mounting two terminal blocks and attaching back-plates. The aerodynamic shape is wind-resistant.
- **DOOR** Two stainless steel captive eyebolts and wingnuts provide access to the inside of the housing. Hinge pins are stainless steel. All screw holes are 10-32 brass inserts, ultrasonically inserted.
- **VISOR** The removable twist-on visor is secured to the door with stainless steel hardware. Cap, tunnel, and full circle visors are available.
- **MOUNTING EASE** Positive Positioning and locking are achieved through the use of serrated brackets, mast arm, or span wire fittings that mate with the serrated openings top or bottom.



LED TECHNOLOGY
Available on all units



**General
Traffic
Equipment
Corporation**

259 Broadway, Newburgh, NY 12550

(845) 569-9000

TOLL FREE:

(800) 222-2828

FAX:

(845) 569-1800

EMAIL:

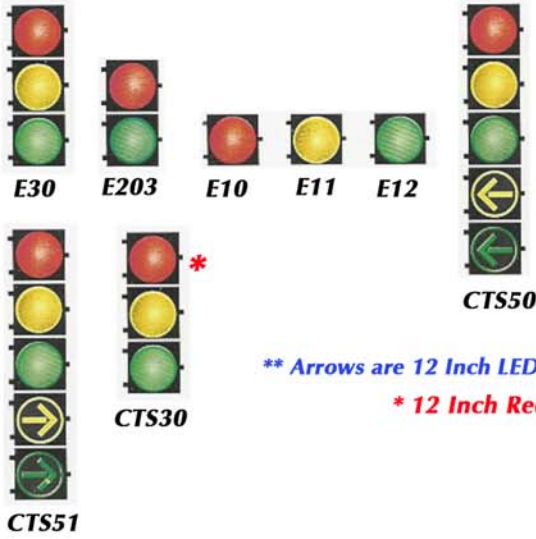
info@generaltrafficequip.com

www.generaltrafficequip.com

General Traffic Equipment



Vertical Arrangements

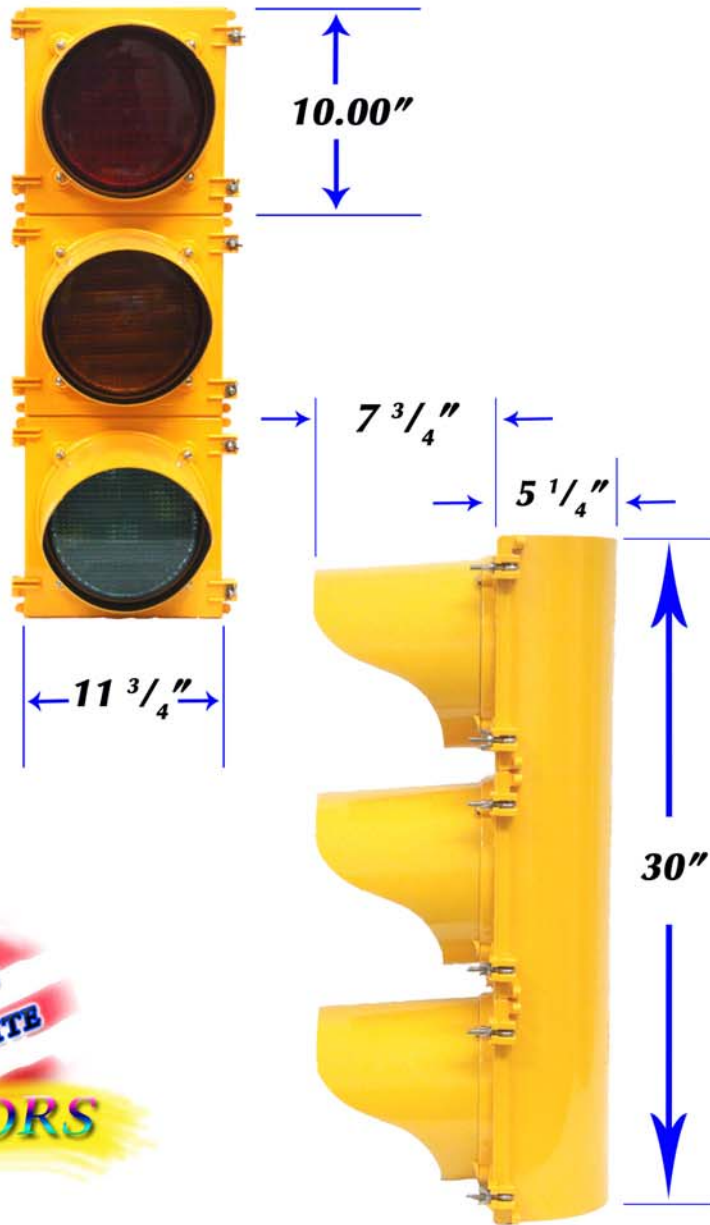


Color Arrangements

- Gloss Black** **B**
- Federal Yellow** **Y**
- Dark Olive Green** **G**
- Custom** **C**



Dimensions



SIGNAL ASSEMBLY - PART NUMBER KEY

E - 30 - POLY - Y - RYG - T - B - Y - B

Size	Orientation & Use	Housing Material	Backplate	LED's Installed	Visor Form Tunnel - T Cap - C Full - F	Body Color	Door Color	Visor Color
------	-------------------	------------------	-----------	-----------------	---	------------	------------	-------------

www.generaltrafficequip.com

General Traffic Equipment